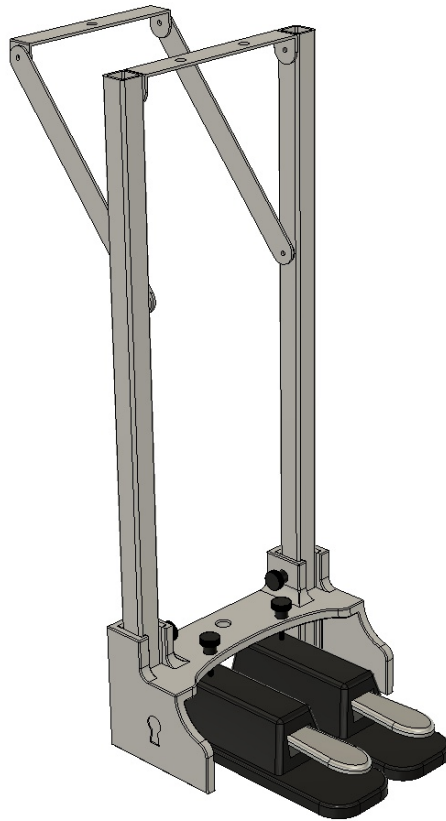


Keyhole
Pedal
Lyre v3



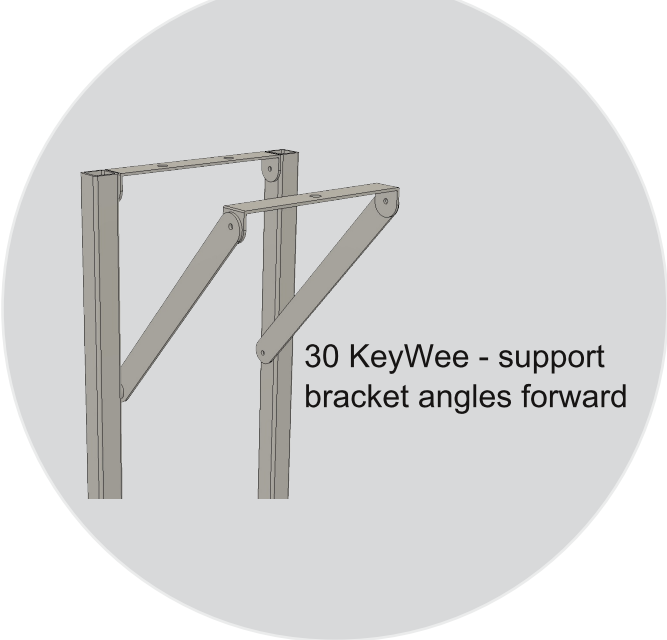
User Manual

For use with Keyhole piano shells

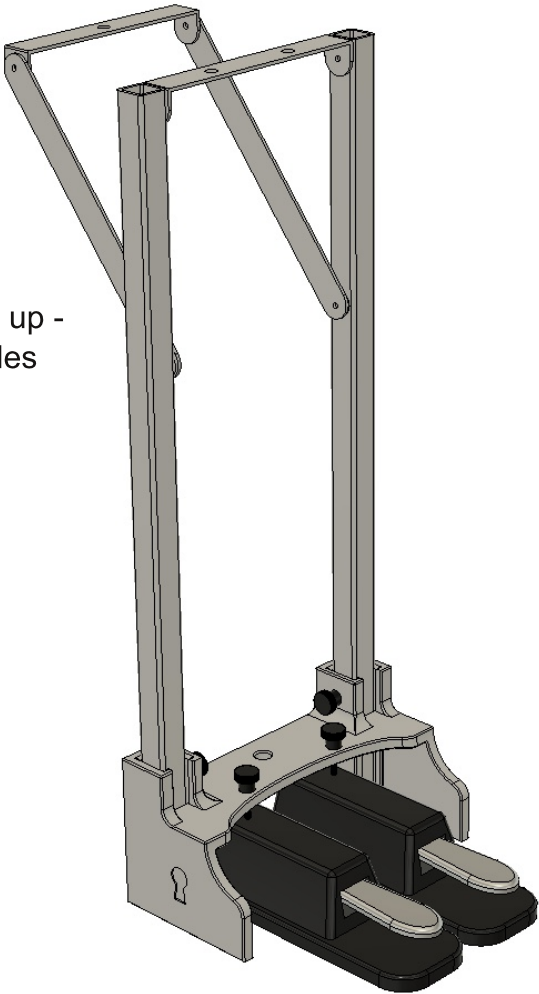
Included - (2) height adjustment knobs,
(2) pedal anchoring knobs, (3) mounting wing screws, (1)
plastic lyre base, (1) metal bracket assembly

pedals not included

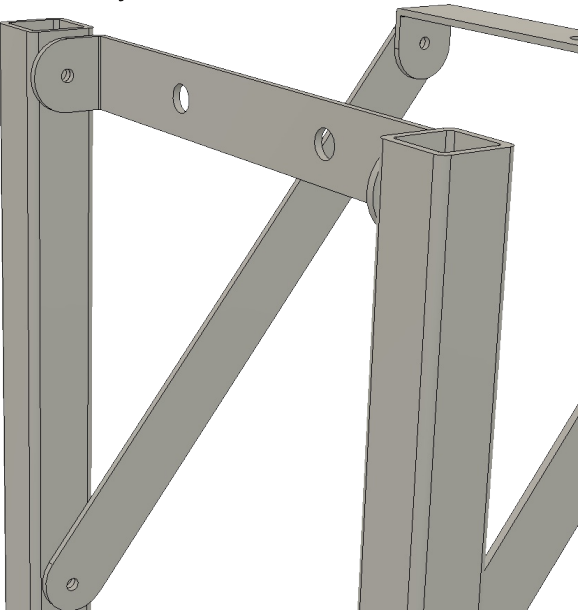
Choose your application



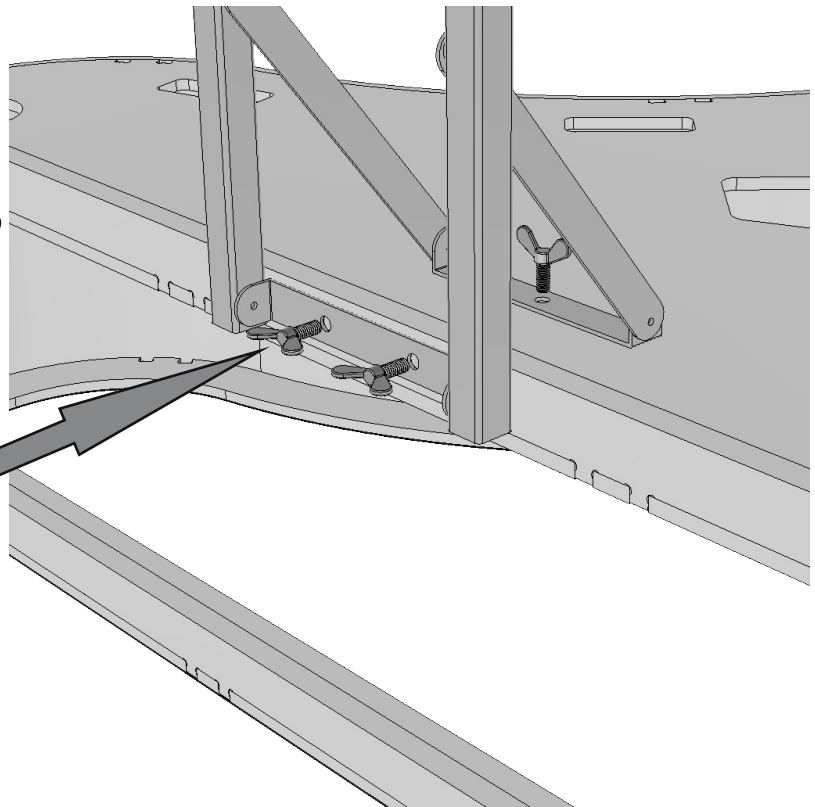
40 WhisKey, 72 and up -
support bracket angles
back



50 & 60 TurnKey - support bracket
angles back, main bracket turned
sideways

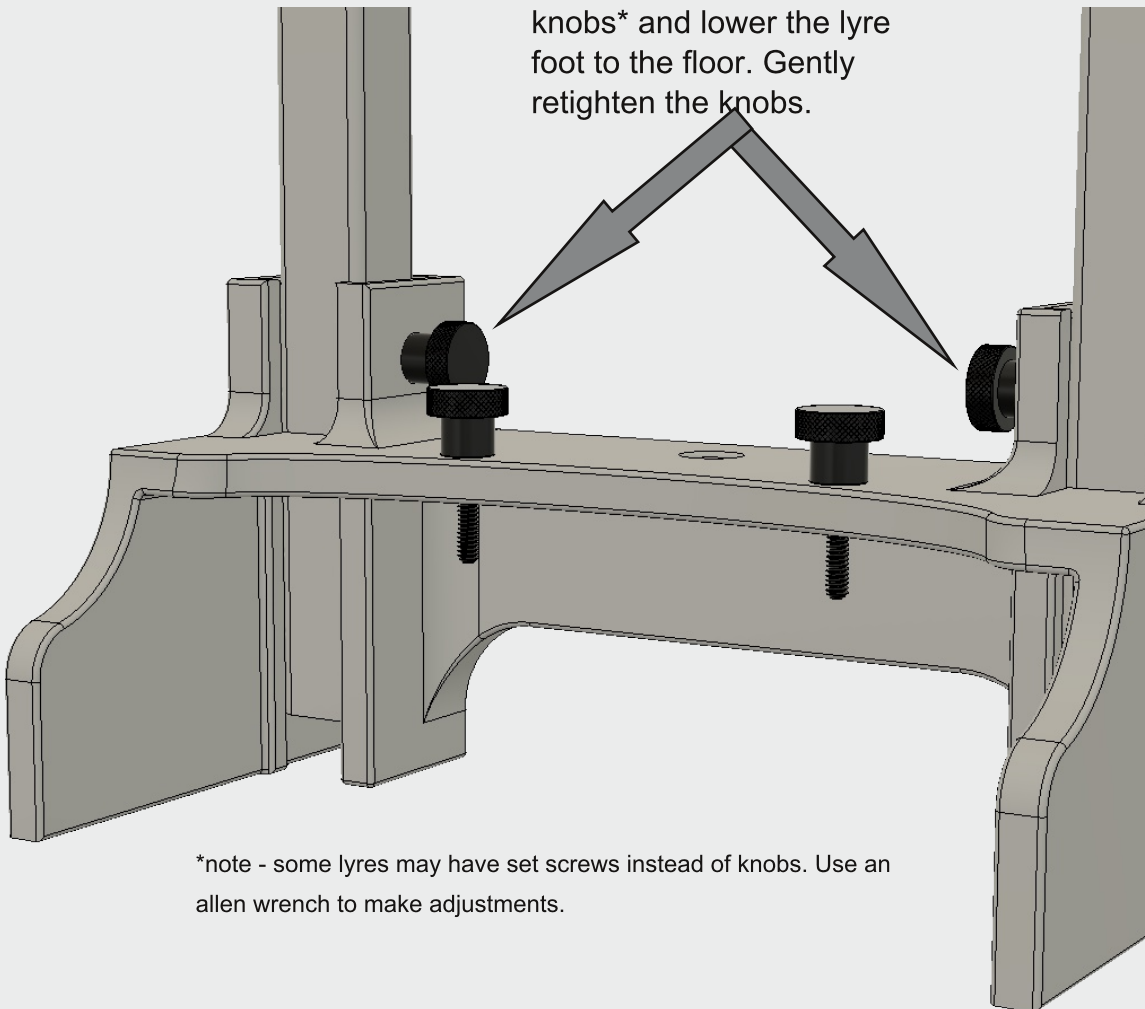


Attach to piano - use the supplied knobs to attach the brackets to the underside of the piano. This is easiest with the piano upside down on the floor. Show on the right is a lyre oriented for attachment on a TurnKey.



(3) 5/16"-18 x 3/4"

Lower foot to floor - loosen the height adjustment knobs* and lower the lyre foot to the floor. Gently retighten the knobs.



*note - some lyres may have set screws instead of knobs. Use an allen wrench to make adjustments.

Anchor pedal(s) (Optional) - standard pedal lyres are designed to accommodate (2) paddle style sustain pedals.

