

Keyhole

50 & 60

TurnKey

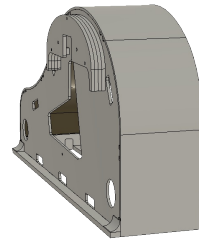
Piano
Shell

User Manual

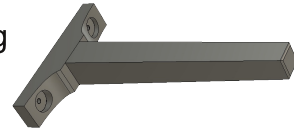


Packaging contents

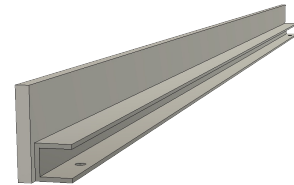
x1 - Main body section



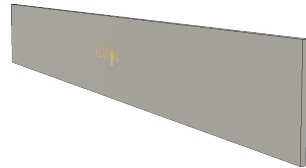
x3 - Leg



x1 - Lip



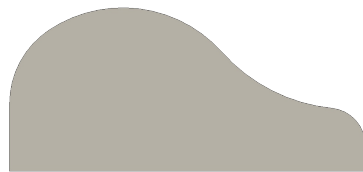
x1 - Backboard



x1 - Top



x1 - Lid



x2 - Lip Hardware
1/4"-20 x 3/4" long knob



x2 - Sled Hardware
1/4"-20 x 2" long knob

x6 - Leg Hardware
3/8"-16 x 1.5" long wing screw

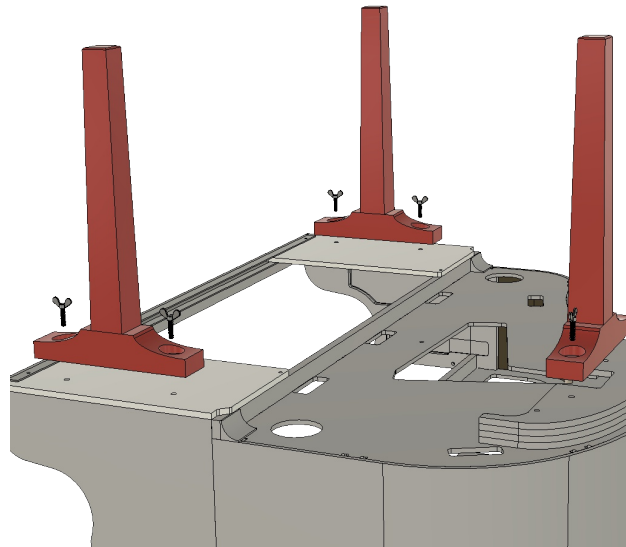


x2 - Hinge Pin



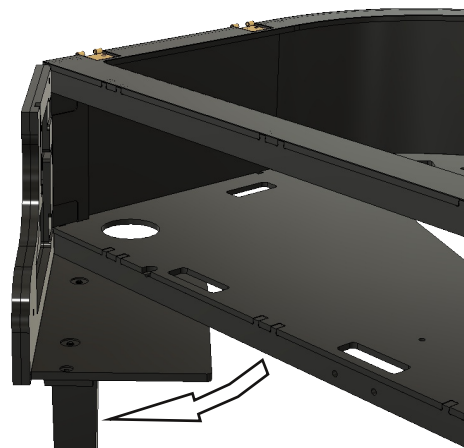
Assembly Instructions

Begin with the main body of the piano upside down. Attach the legs using the leg hardware.

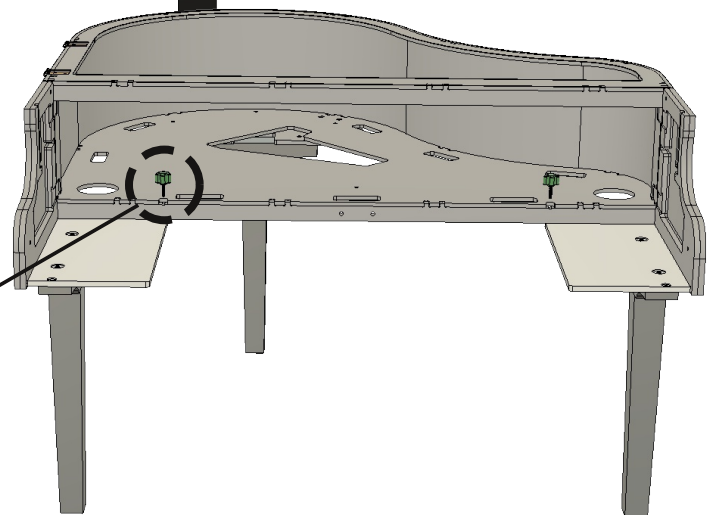
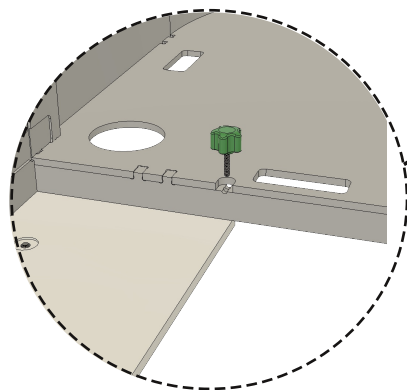


Tip the piano right-side up.

Turn the sleds outward into fully open position.



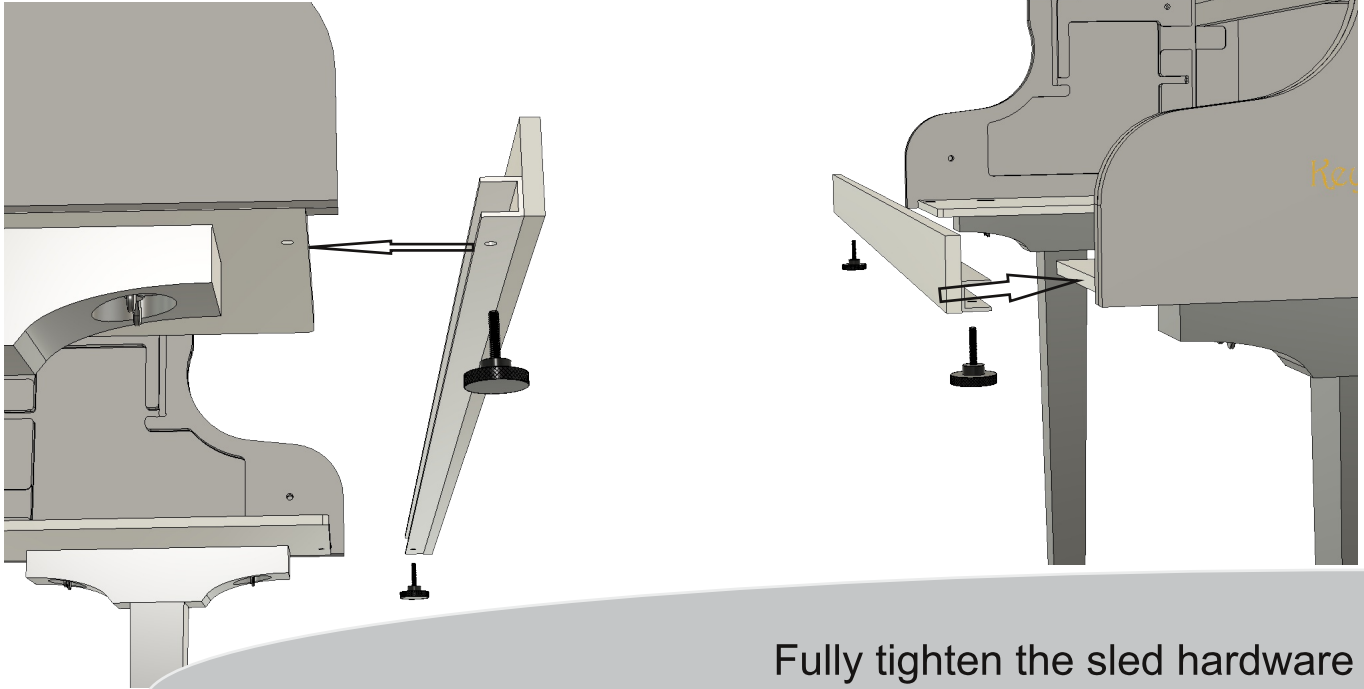
Loosely thread the sled hardware. Do not fully tighten at this step.



Assembly Instructions cont.

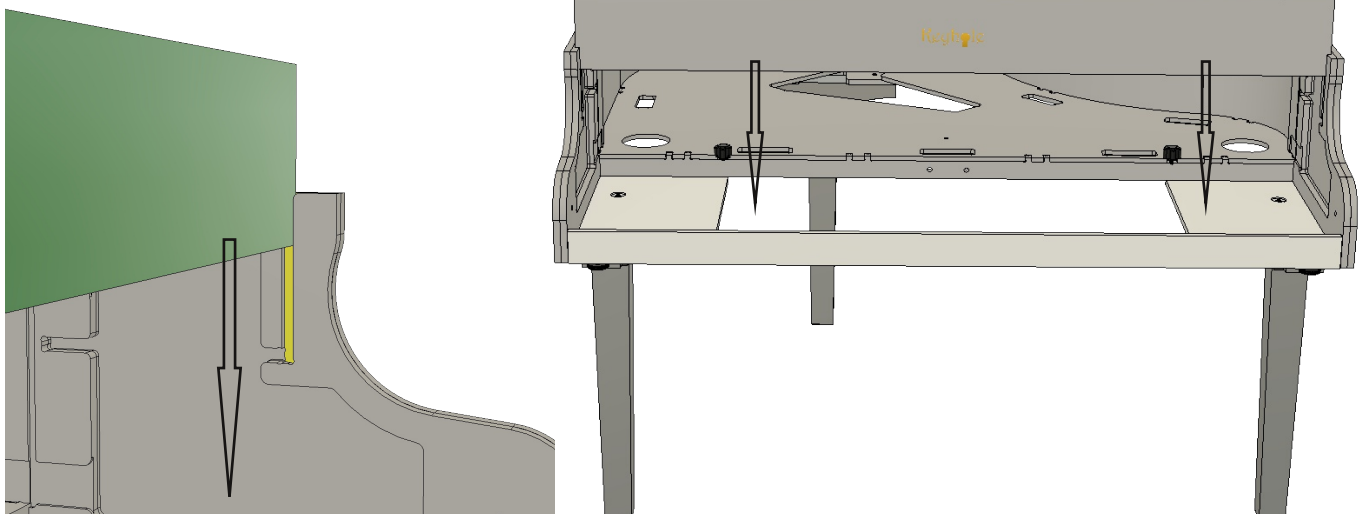
This is a good time to attach the pedal lyre - optional (see pedal lyre manual for instructions)

Attach the front lip and use the lip hardware to anchor it in place.



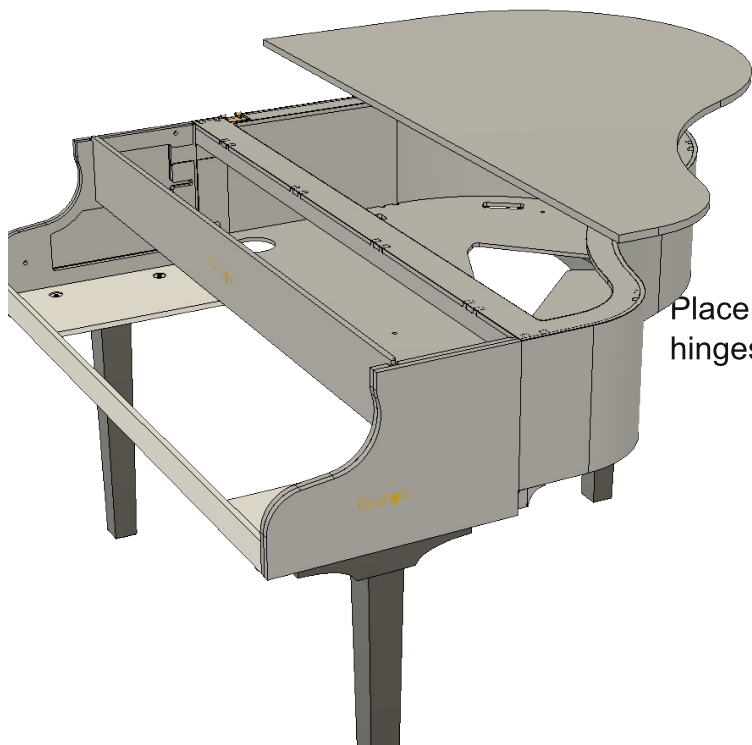
Fully tighten the sled hardware from the earlier step.

Slide the backboard down into the slot with the logo facing out.



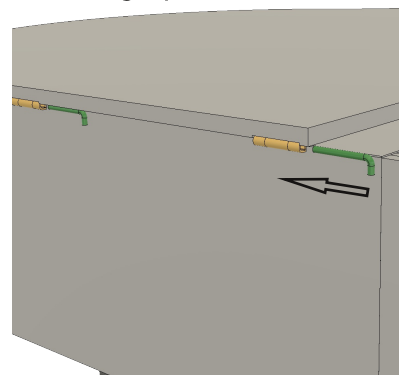
Assembly Instructions cont.

This is the best time to install the keyboard and run wires.

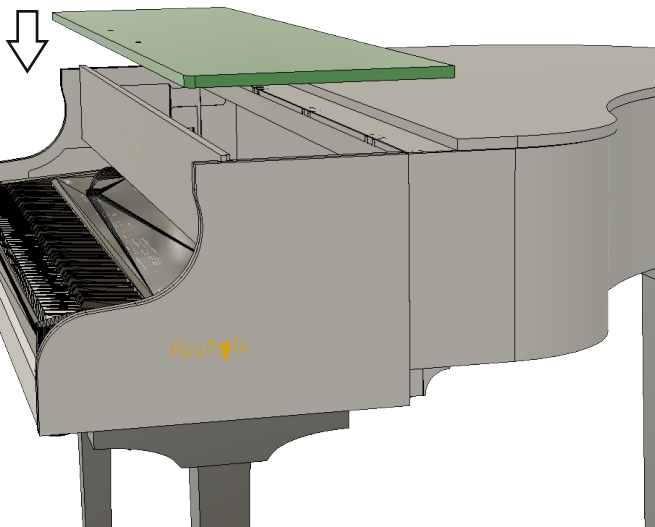


Place lid in position and line up the hinges.

Insert the hinge pins.



Place top in position.



Assembly is complete!