

Keyhole

SplitKey

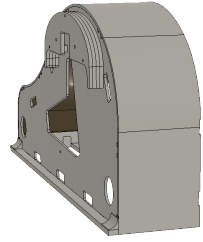
Piano
Shell

User Manual

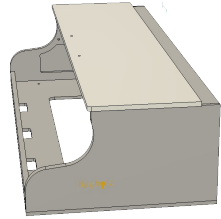


Packaging contents

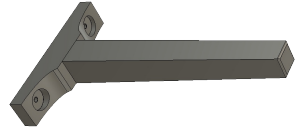
x1 - nose section



x1 - keyed section



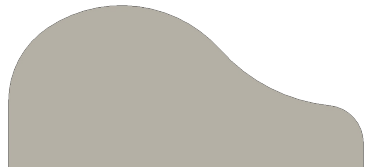
x3 - Leg



x1 - Top



x1 - Lid



x6 - Leg Hardware

3/8"-16 x 1.5" long wing screw

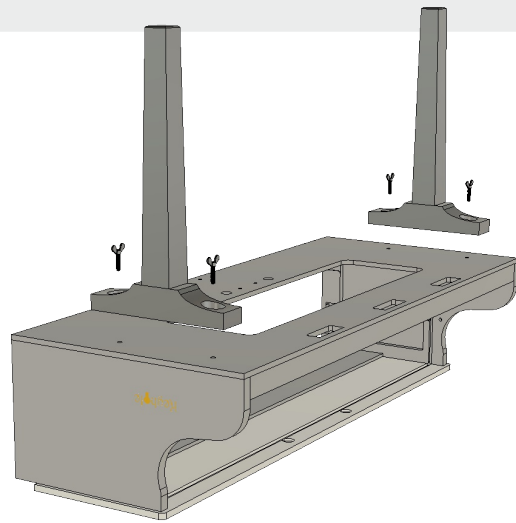


x2 - Hinge Pin

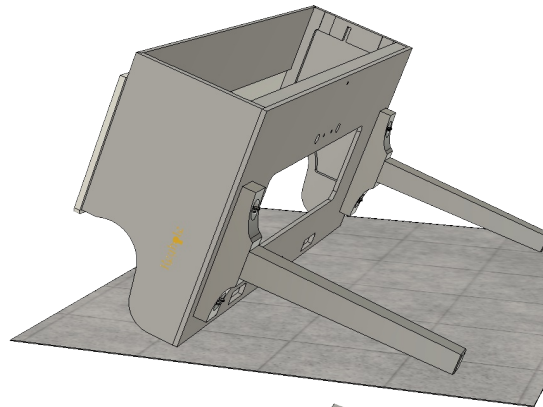


Assembly Instructions

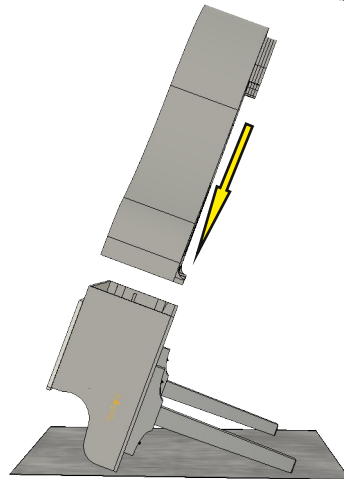
Begin with the keyed section of the piano upside down. Attach two legs using the leg hardware.



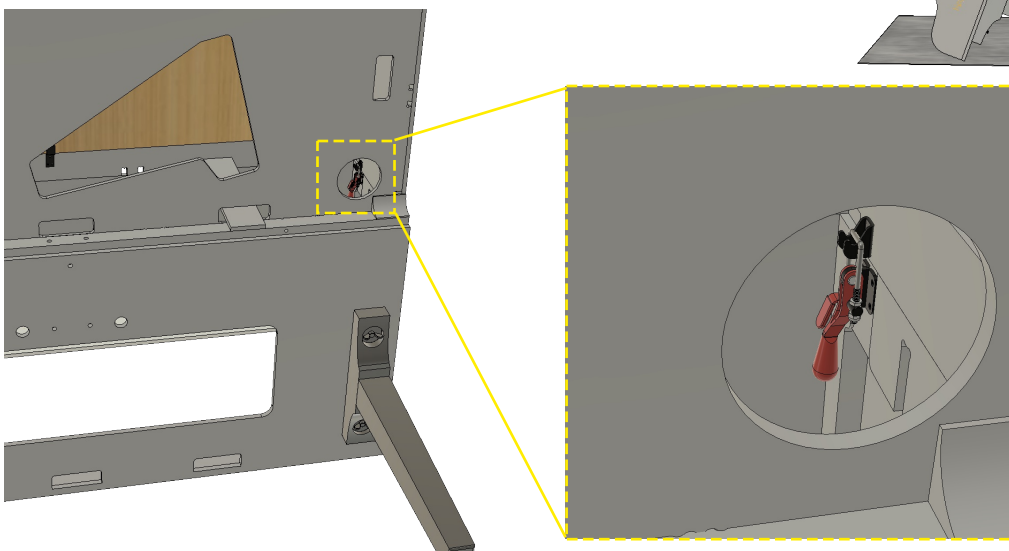
Tip the keyed section to the orientation shown.



Place the nose section onto the keyed section being careful to align the corners.



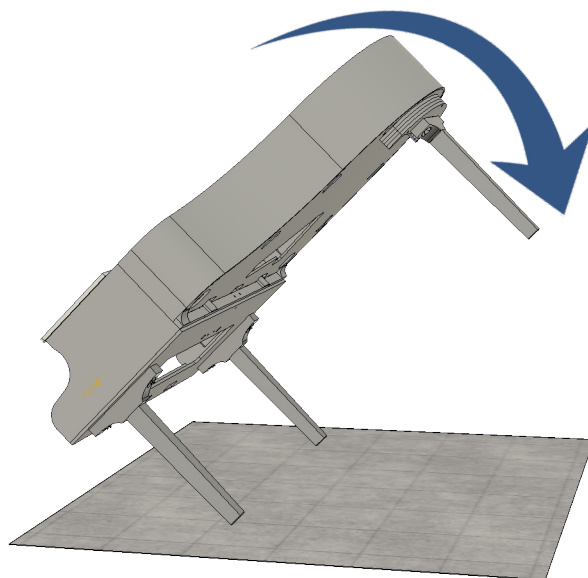
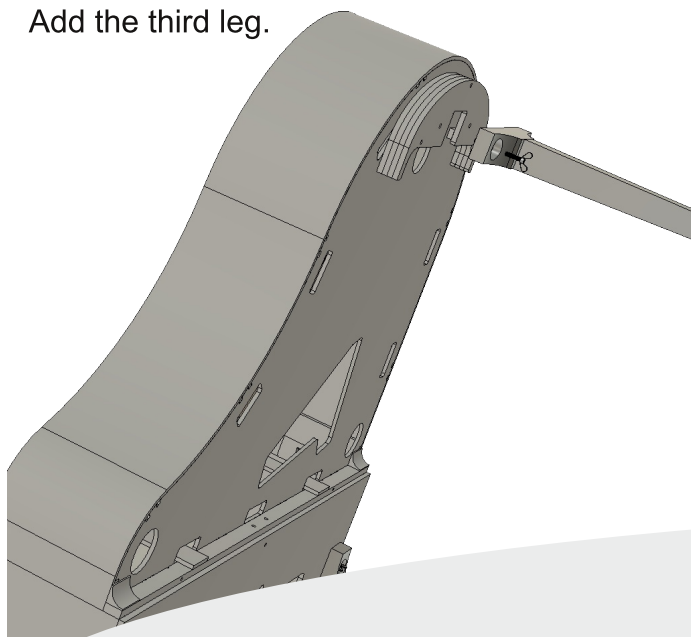
Use the toggle clamps (4) to anchor the nose section to the keyed section.



Assembly Instructions cont.

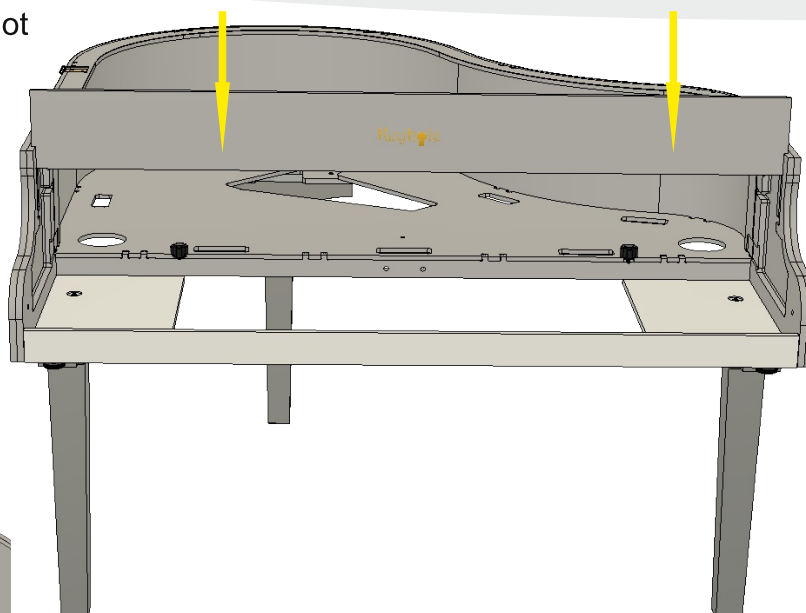
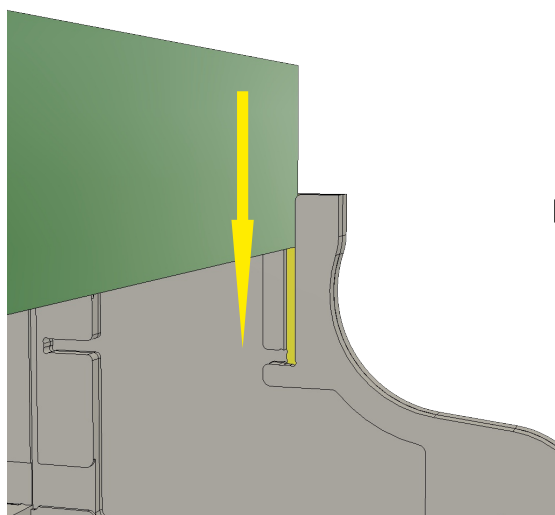
This is a good time to attach the pedal lyre - optional (see pedal lyre manual for instructions)

Add the third leg.



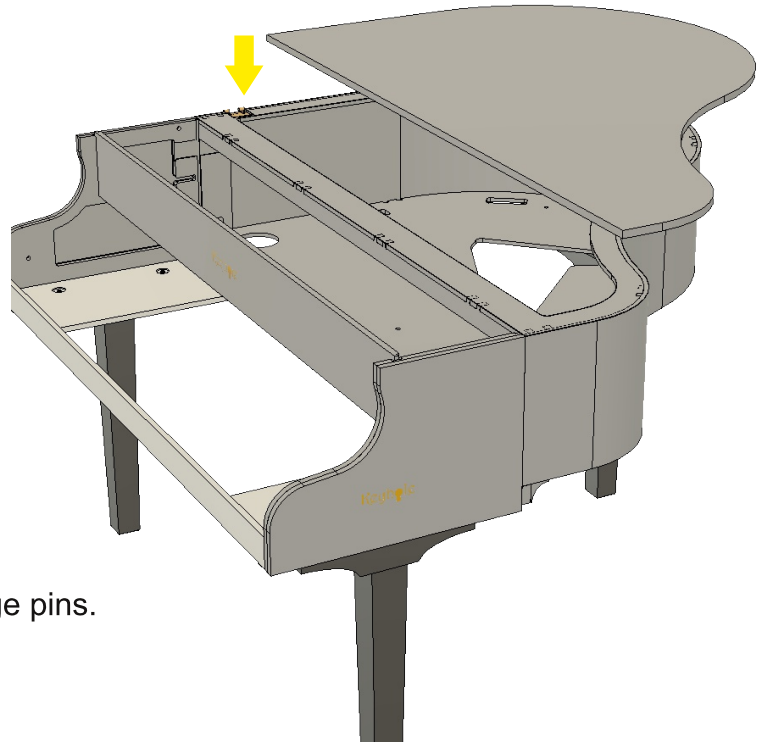
Carefully lower the piano to the floor.

Slide the backboard down into the slot with the logo facing out.

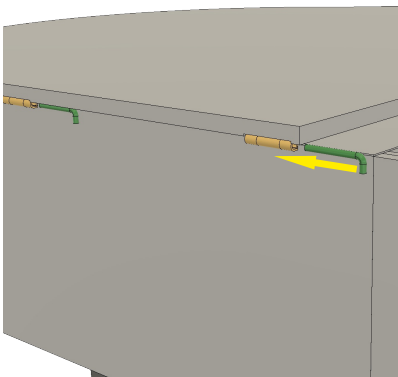


Assembly Instructions cont.

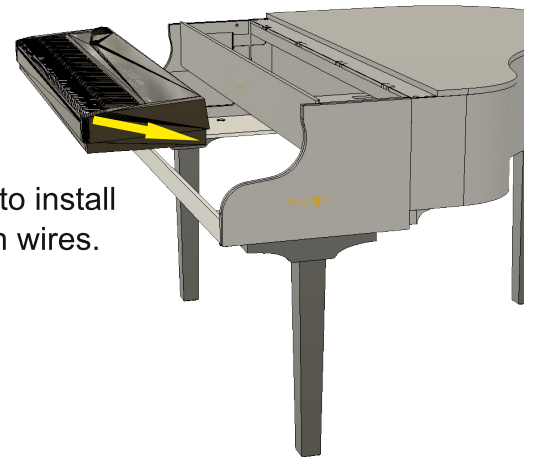
Place lid in position and line up the hinges.



Insert the hinge pins.



This is the best time to install the keyboard and run wires.



Place top in position.



Assembly is complete!