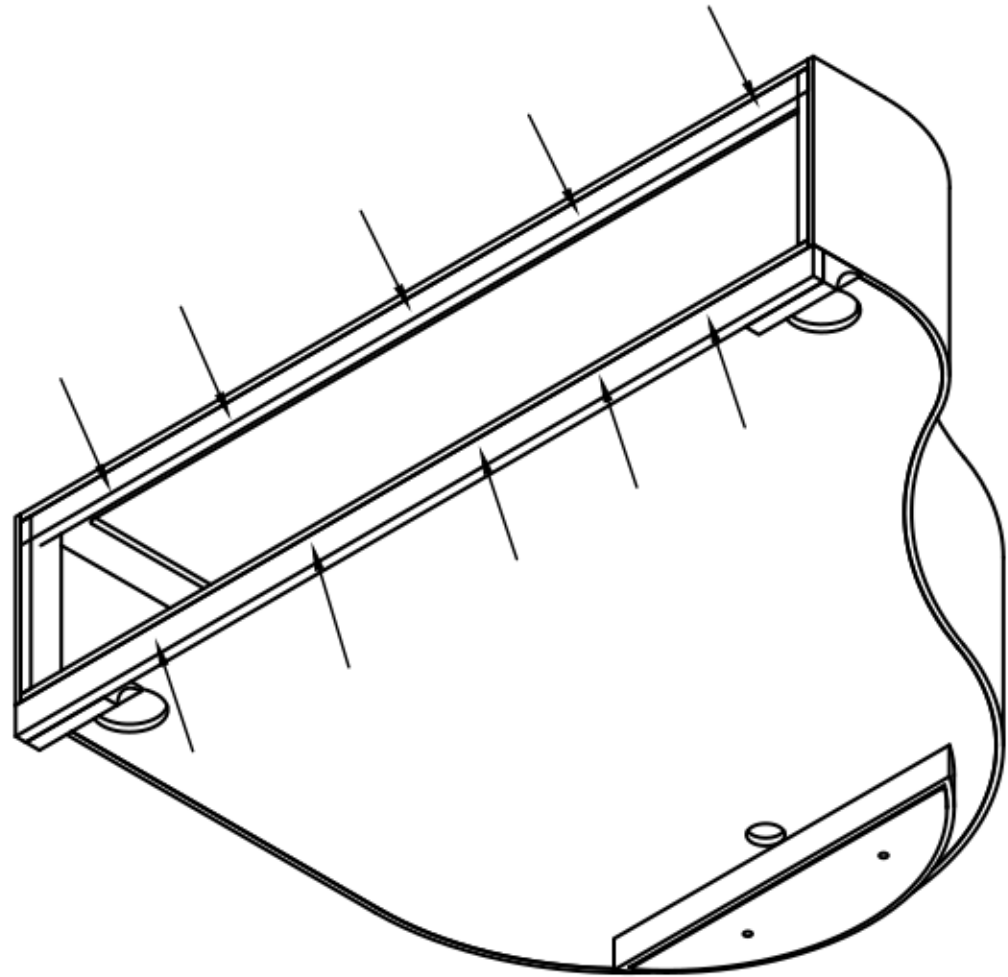


For secure and permanent use, install screws at the indicated locations into the front section



| | | | | |
|---|---------------------------------|--------|-----------|-----|
|  | PROJECT | | | |
| | Keyhole Pianos | | | |
| | TITLE | | | |
| | split body safety anchor points | | | |
| APPROVED | SIZE | CODE | DWG NO | REV |
| CHECKED | A | | | |
| DRAWN Michael Dhaseleer 10/22/2020 | SCALE 1:5 | WEIGHT | SHEET 1/1 | |